

## perma STAR CONTROL

TIME and IMPULSE mode combined in a single system



### Optimal lubricant metering based on operating hours or lubrication impulse

In contrast to the perma STAR VARIO (with battery pack), the perma STAR CONTROL is supplied with external power via cable. The operating status can be transmitted to a PLC and evaluated. The two integrated operating modes TIME and IMPULSE offer flexible use. In TIME mode, lubricant discharge is based on operating hours. In IMPULSE mode, a precisely defined quantity is dispensed as soon as voltage is supplied.

The perma STAR CONTROL consists of an electromechanical drive and an LC with 60, 120, 250 or 500 cm<sup>3</sup> of lubricant. The required mode is set on the drive. Lubrication is precise and temperature-independent at a counter pressure up to 6 bar.

**perma**



perma STAR CONTROL is used to lubricate roller and sliding bearings, sliding guides, open gears, gear racks, spindles, shaft seals and chains. Due to the precise lubricant metering, perma STAR CONTROL is ideally suited for lubrication of electric motors with specified lubricant quantities. The system is protected against dust and water jets, subject to correct assembly of the individual parts (IP65).



## Product characteristics

## Benefits



**LCD display with push button shows discharge settings, LC size and operating status**

**Setting:**  
Mode, LC size, discharge quantity and PIN

- Flexible handling via simple setting of TIME or IMPULSE mode; can be changed at any time
- Fast, simple control of settings, remaining impulses or operating hours until exchange
- Freely selectable PIN protects against possible tampering



**Electromechanical drive with external power supply**

**LED (red / green) visible all round signals functioning and errors**

- Reliable, precise lubricant discharge independent of temperature and counter pressure
- Quick function control due to visual or electronic signals on the lubrication system and plant error reporting system saves time and relieves maintenance workers



**Pressure build-up to 6 bar allows remote mounting up to 5 m**

**Manual additional discharge via push button on display (purge)**

- Mounting up to 5 m outside of dangerous areas or at easy-to-access locations increases workplace safety
- Higher equipment availability since LC can be easily exchanged during running operation
- Lubrication point can be purged to clear blockages

## Technical data

Drive – reusable  
**Electromechanical drive with external power supply:**  
9–30 V DC, I<sub>max</sub> 0.5 A

Discharge period  
**Time-controlled (TIME)**  
**Impulse-controlled (IMPULSE)**

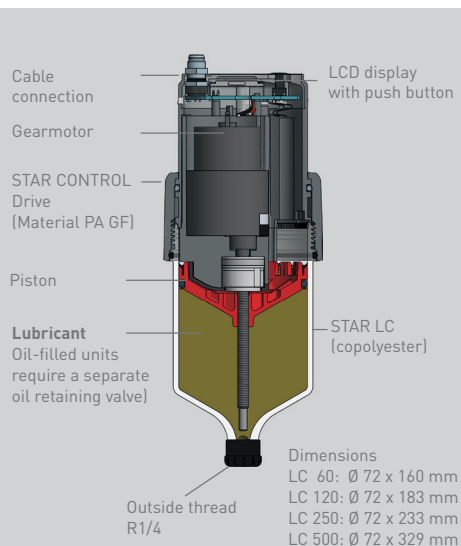
Lubricant volume  
**60 cm<sup>3</sup>, 120 cm<sup>3</sup>, 250 cm<sup>3</sup> or 500 cm<sup>3</sup>**

Operating temperature  
**-20 °C to +60 °C**

Pressure build-up  
**6 bar**

Protection class  
**IP 65**

Standard & special lubricants  
**Greases up to NLGI 2 / Oils\***



\* STAR LC 500 oil-filled available on request